

# FIELD REPAIR KITS

## 1.0" TWISTER, QUADRAFOG, AND D75 SERIES BALL VALVES

D10-KIT	1.0" Twister Front End Seat/Seal Kit	\$46.00
D75-KIT	1.0" Rear Valve Seat Kit	\$20.00
D75-HDL	Bail Handle & Valve Seat Kit (NO Mandrel)	\$37.00
D75-HRK	Bail Handle & Valve Seat Kit (Incl. Mandrel)	\$90.00

## 1.5" Twister, QuadraFog, QuadraCup, and F100 Series Ball Valves

F20-KIT	1.5" Twister Front End Seat/Seal Kit	\$51.00
F100-KIT	Valve Rear Seat Kit	\$19.00
F100-HDL	Bail Handle & Valve Seat Kit (NO Mandrel)	\$37.00
F100-HRK	Bail Handle & Valve Seat Kit (Incl. Mandrel)	\$100.00

## 1.5" and 2.5" ThunderFog, F140 and J140 Ball Valve Series

F140-KIT	Valve Rear Seat Kit	\$19.00
F140-HDL	Bail Handle & Valve Seat Kit (NO Mandrel)	\$37.00
F140-HRK	Bail Handle & Valve Seat Kit (Incl. Mandrel)	\$104.00
J140-HRK	Bail Handle & Valve Seat Kit (Incl. Mandrel)	\$110.00

## BUBBLECUP SERIES

D285-KIT	1.0" BubbleCup Stream Shaper Kit	\$118.00
F685-KIT	1.5" BubbleCup Stream Shaper Kit	\$114.00
F675-KIT	QuadraCup Aluminum Stream Shaper Kit	\$108.00
F675-UPGRADE	QuadraCup Aluminum Sleeve Upgrade	\$108.00

## ULTIMATIC SERIES - Manufactured After 1983

B950-KIT	Bail Handle Kit (Metal)	\$44.00
B955-KIT	Bail Handle Kit (Manuf After 8/05)	\$21.00
B960-KIT	Valve Seal Kit	\$11.00
B880-KIT	Stream Shaper Kit	\$49.00

## MIDRANGE SERIES

HM960-KIT	Nozzle Seal Kit	\$8.00
HMD830-KIT	Dual Pressure Knob 100 Psi	\$41.00
HMD830-75KIT	Dual Pressure Knob 75 Psi	\$41.00
HM840-KIT	100 Psi Control Unit	\$56.00
HM840-75-KIT	75 Psi Control Unit	\$56.00
HMD840-KIT	Dual Pressure Control Unit 100/55 Psi	\$114.00
HM997N-KIT	1.5 NH Coupling Kit	\$36.00
HM997I-KIT	1.5 NPSH Coupling Kit	\$36.00
HM590-KIT	-V and -VPGI Valve Plug	\$13.00
HM592-KIT	STO Valve Plug	\$22.00
HM950-KIT	Bail Handle Kit	\$21.00
HM880-KIT	Stream Shaper Kit	\$52.00

## HANDLINE SERIES

(manufactured after 1983 to current)

H994I-KIT	1.5 NPSH Coupling Kit	\$32.00
H994N-KIT	1.5 NH Coupling Kit	\$32.00
H880-KIT	Stream Shaper Kit	\$66.00
H960-KIT	Valve Seal Kit	\$41.00
P920-KIT	Playpipe Handle/Hdw Kit	\$75.00
HX950-KIT	Bail Handle Kit (Replaces Metal Handle)	\$41.00

(manufactured after Jan 01, 2004)

HX840-75-KIT	Pressure Control Unit 75 Psi	\$172.00
HX840-KIT	Pressure Control Unit 100 Psi	\$172.00
HXD830-KIT	Dual Pressure Knob 100 Psi	\$55.00
HXD830-75KIT	Dual Pressure Knob 75 Psi	\$55.00
HXD840-KIT	Dual Pressure Control Unit 100/55 Psi	\$152.00
HXDL840-KIT	Dual Pressure Control Unit 75/45 Psi	\$152.00

## HANDLINE SERIES UPGRADE KITS

(manufactured between 1985 to 2003)

### Single Pressure

HX-100-KIT	95-300 GPM @ 100 PSI	\$405.00
HX-75-KIT	95-250 GPM @ 75 PSI	\$405.00
HX-55-KIT	95-225 GPM @ 55 PSI	\$405.00

### Dual Pressure

HXD-100-KIT	95-300 GPM @ 100/55 PSI (dual pressure)	\$405.00
HXD-75-KIT	95-250 GPM @ 75/45 PSI (dual pressure)	\$405.00

## EXTEND-A-GUN SERIES

XG840-KIT	MANUAL EXTEND-A-GUN REED SWITCH	\$15.00
XGA840-KIT	RC3 EXTEND-A-GUN REED SWITCH (made before June 2009)	\$15.00
XGA841-KIT	RC4 EXTEND-A-GUN REED SWITCH (made before June 2009)	\$15.00
XGE695-KIT	RC EXTEND-A-GUN REED SWITCH (made after June 2009)	\$51.00
XGE690-KIT	RC EXTEND-A-GUN DRIVE BOX Repair Kit (6/1/09 and newer)	\$307.00

## LDH SERVICE KITS

A1520-KIT	AB, AC, and ABS Series BIV Valve Seat Kit	\$62.00
A1082-KIT	AX, AP, and AQ Series Jumbo BIV Valve Seat Kit	\$62.00
A1621-KIT	Vent Drain Kit - Lever Style	\$44.00
A1633-KIT	Parallel Shaft Gear Box Kit	\$225.00
A1890NJ	Pressure Relief Valve Test Kit - Flanged	\$125.00
A1891NJ	Pressure Relief Valve Test Kit - Threaded	\$125.00
AX1690-KIT	BIV RC Upgrade	\$1485.00
A4173-KIT	4" Storz Lock Lever Kit	\$31.00
A4176-KIT	5" Storz Lock Lever Kit	\$31.00
THA401	Retaining Strip Removal Tool	\$16.50
AM-BAND-KIT	Suction Hose Repair Kit	\$348.00
A1410-KIT	Suction Screen 5"	\$43.00
A1411-KIT	Suction Screen 6"	\$75.00
JET-ELBOWKIT	Jet Siphon Elbow Upgrade Kit	\$170.00

## LUBRICANTS

VSA-101	Dow 112 Grease 5.3Oz Tube	\$17.75
VSA-110	Breakfree 4Oz Aerosol	\$10.36
VSA-112	Breakfree 12Oz Aerosol	\$15.50
H-LUBE-KIT	Nozzle Lubrication Kit	\$ 36.00

## 2.5" GATED WYE

AY175-KIT	200 psi Gauge Kit For Ay Series 2.5" Gated Wye	\$66.00
AY176-KIT	300 psi Guage Kit for AY Series 2.5" Gated Wye	\$66.00
A1621-KIT	Vent Drain Kit - Lever Style	\$44.00
AY970-KIT	Slow Close Valve Kit	CALL

## CROSSFIRE - BLITZFIRE

X455-KIT	Tie Down Strap	\$60.00
XX482-KIT	Blitzfire Spike Replacement Kit	\$35.00
XX830-KIT	Elevation Swivel Clutch Assembly	\$81.00
XX910-KIT	Blitzfire Trip Mechanism Kit	\$68.00
XXSTRAP-KIT	Blitzforce Strap	\$39.00
XF400-KIT	Truck Mount Block	\$254.00

## EDUCTOR

UE960-KIT	Cam Lock Adaptor	\$58.00
-----------	------------------	---------

## MONITORS

TETHER01-KIT	Stacked Tips Tether Kit	\$56.00
--------------	-------------------------	---------

**H-VO VALVES**

P690-KIT	Ball Valve Repair Kit	\$24.00
<b>PRO/PAK</b>		
U230-KIT	PRO/pak Knob Repair Kit	\$52.00

**INTEGRAL SMOOTH BORE ORIFICE REPLACEMENT**

P116-KIT	Stream Straightener 1-1/2"	\$30.00
HVIT1-KIT	VIT Ball Valve Outlet 7/8"	\$113.00
HVIT2-KIT	VIT Ball Valve Outlet 15/16"	\$113.00
HVIT3-KIT	VIT Ball Valve Outlet 1"	\$113.00
HVIT4-KIT	VIT Ball Valve Outlet 1-1/8"	\$113.00
HVIT5-KIT	VIT Ball Valve Outlet 1-1/4"	\$113.00
HVIT6-KIT	VIT Ball Valve Outlet 1-3/8"	\$113.00

**VALVE UNDER MONITOR SERIES**

AY321-KIT	Aluminum Long Handle 4.75" swing radius	\$53.00
AY322-KIT	Aluminum T-Handle 2.25" swing radius	\$53.00

**COLORED HANDLE KITS**

**Colored Valve Handle Covers**

All nozzles delivered after 09/01/09 have the ability to have colored valve handles added. Colored handle covers for TFT series of nozzles are available at no charge when the warranty card is filled out and mailed in, or if the warranty information is filled out on-line at [www.tft.com](http://www.tft.com). The following colors are available and for a nominal fee can be custom laser engraved. For additional information on this option, contact TFT customer service.

HM925BLK-KIT	BLACK COVER	\$8.00
HM925BLU-KIT	BLUE COVER	\$8.00
HM925GRN-KIT	GREEN COVER	\$8.00
HM925GRY-KIT	GRAY COVER	\$8.00
HM925ORG-KIT	ORANGE COVER	\$8.00
HM925PNK-KIT	PINK COVER	\$8.00
HM925PPL-KIT	PURPLE COVER	\$8.00
HM925RED-KIT	RED COVER	\$8.00
HM925RW-KIT	RED & WHITE COVER	\$8.00
HM925TAN-KIT	TAN COVER	\$8.00
HM925WHT-KIT	WHITE COVER	\$8.00
HM925YEL-KIT	YELLOW COVER	\$8.00

**INSTRUCTION MANUALS**

(instruction manuals available at no charge)

All Manuals are available on line at [www.tft.com](http://www.tft.com) or call customer service at 1-800-348-2686.

**PISTOL GRIP KITS**

**Colored Pistol Grips for TFT Nozzles**

All TFT nozzles delivered after 03/01/01 have the ability to have colored pistol grips added. For nozzles manufactured before this date, contact TFT's service department for availability. When a nozzle is ordered with a pistol grip, it will be shipped from TFT with a black grip and the offer to provide a free colored grip of your choice when the warranty card is filled out and mailed in, or if the warranty information is filled out on-line at [www.tft.com](http://www.tft.com). Kits can also be ordered for adding a grip to a non-grip model for a nominal fee.

HM692BLK-KIT	BLACK GRIP	\$19.00
HM692BLU-KIT	BLUE GRIP	\$19.00
HM692GRN-KIT	GREEN GRIP	\$19.00
HM692GRY-KIT	GRAY GRIP	\$19.00
HM692ORG-KIT	ORANGE GRIP	\$19.00
HM692PNK-KIT	PINK GRIP	\$19.00
HM692PPL-KIT	PURPLE GRIP	\$19.00
HM692RED-KIT	RED GRIP	\$19.00
HM692TAN-KIT	TAN GRIP	\$19.00
HM692WHT-KIT	WHITE GRIP	\$19.00
HM692YEL-KIT	YELLOW GRIP	\$19.00

**PISTOL GRIP KITS**

**Colored Pistol Grips for TFT Impulse Nozzles With A Trigger Valve System**

When a nozzle is ordered with a Trigger Valve System, it will be shipped from TFT with a black grip and the offer to provide a free colored grip of your choice when the warranty card is filled out and mailed in, or if the warranty information is filled out on-line at [www.tft.com](http://www.tft.com).

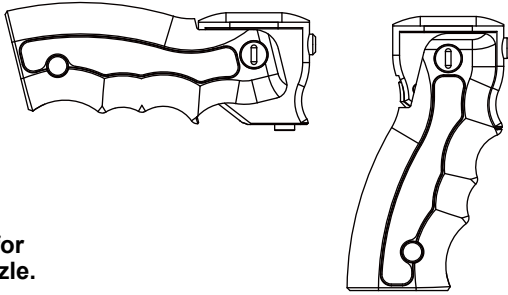
TN691BLK-KIT	BLACK GRIP COVER	\$8.00
TN691BLU-KIT	BLUE GRIP COVER	\$8.00
TN691GRN-KIT	GREEN GRIP COVER	\$8.00
TN691GRY-KIT	GRAY GRIP COVER	\$8.00
TN691ORG-KIT	ORANGE GRIP COVER	\$8.00
TN691PNK-KIT	PINK GRIP COVER	\$8.00
TN691PPL-KIT	PURPLE GRIP COVER	\$8.00
TN691RED-KIT	RED GRIP COVER	\$8.00
TN691TAN-KIT	TAN GRIP COVER	\$8.00
TN691WHT-KIT	WHITE GRIP COVER	\$8.00
TN691YEL-KIT	YELLOW GRIP COVER	\$8.00

## FOLDING PISTOL GRIP

FOLDING PISTOL GRIP KIT – This space-saving, folding pistol grip will take up less space and allow the TFT nozzle to fit into tight crosslays and hose beds. It deploys quickly and easily, locking in place automatically. When ready to stow, simply press the lock release button and fold it back. Pistol grip is machined from aluminum alloy and hardcoat anodized for durability and corrosion resistance. Pistol grip is black with white Scotchlite reflective inserts. Other NFPA Scotchlite color code inserts are available on request. Fits all TFT nozzles delivered after 03/01/2001. New nozzles may be ordered with folding pistol grip installed at the factory.

**HM792-KIT**  
**\$135.00**  
**1.7 lb (0.7kg)**  
**8.50" (21.6cm)**

**When ordered for an existing nozzle.**



HM792-KIT comes standard with a white Scotchlite Insert.

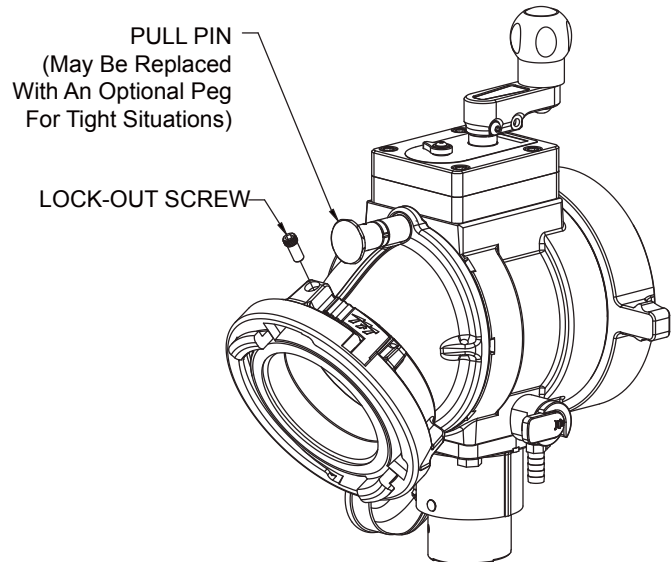
### When Ordered With a New Nozzle

HM792-DKIT	TWISTER, QUADRAFOG, BUBBLECUP D- SERIES
HM792-FKIT	TWISTER, QUADRAFOG, BUBBLECUP F- SERIES
HM792-FTKIT	FLIP-TIP SERIES
HM792-GKIT	G-FORCE SERIES
HM792-HKIT	HANDLINE / DUAL-FORCE SERIES
HM792-HMKIT	MIDMATIC / MID-FORCE SERIES
HM792-JKIT	THUNDERFOG J-SERIES
HM792-UKIT	ULTIMATIC SERIES

## CHANGING COUPLING LOCK-OUT

To change a coupling from rigid to full time swivel, use a 7/32" Allen driver to back out the lockout screw until the coupling moves freely.

To change a coupling from full time swivel to rigid, first align the pull pin in the elbow to vertical. Rotate the coupling until the lockout screw is aligned with the pull pin. Use a 7/32" Allen driver to tighten the lockout screw into the lockout divot in the elbow.



## FLANGE SPECIFICATIONS

FLANGE SPECIFICATIONS					
FITS FLANGE	OUTSIDE DIAMETER	THICKNESS	BOLT HOLE CIRCLE	NUMBER OF BOLTS	SIZE OF BOLTS
3" ANSI 125/150 DN80 PN20	7.50" 190 mm	0.75" 20 mm	6.00" 152.5 mm	4 4	5/8" M16
4" ANSI 150 DN100 PN20	9.00" 230 mm	0.94" 23 mm	7.50" 190.5 mm	8 8	5/8" M16
DN80 PN16	200 mm	22 mm	160 mm	8	16 mm
DN100 PN16	220 mm	22 mm	180 mm	8	16 mm