

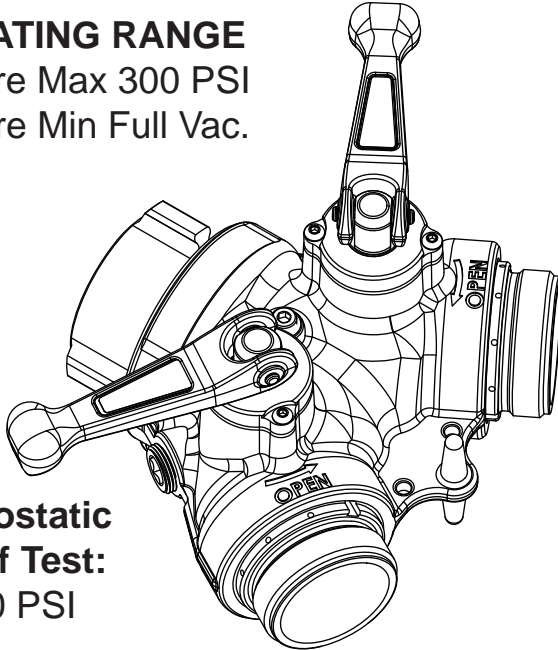
MANUAL: 2.5" GATED WYE

INSTRUCTIONS FOR SAFE OPERATION AND MAINTENANCE

OPERATING RANGE

Pressure Max 300 PSI

Pressure Min Full Vac.



**Hydrostatic
Proof Test:**
900 PSI

⚠ DANGER

PERSONAL RESPONSIBILITY CODE

The member companies of FEMSA that provide emergency response equipment and services want responders to know and understand the following:

1. Firefighting and Emergency Response are inherently dangerous activities requiring proper training in their hazards and the use of extreme caution at all times.
2. It is your responsibility to read and understand any user's instructions, including purpose and limitations, provided with any piece of equipment you may be called upon to use.
3. It is your responsibility to know that you have been properly trained in Firefighting and /or Emergency Response and in the use, precautions, and care of any equipment you may be called upon to use.
4. It is your responsibility to be in proper physical condition and to maintain the personal skill level required to operate any equipment you may be called upon to use.
5. It is your responsibility to know that your equipment is in operable condition and has been maintained in accordance with the manufacturer's instructions.
6. Failure to follow these guidelines may result in death, burns or other severe injury.



Fire and Emergency Manufacturers and Service Association
P.O. Box 147, Lynnfield, MA 01940 • www.FEMSA.org

⚠ WARNING

Quick changes in valve position can cause high pressure spikes due to water hammer and may result in damaged equipment which could lead to injury or death. Open and close the valve slowly to avoid water hammer.

⚠ WARNING

Kinks in supply hose may reduce water flow and cause injury or death to persons dependant on water flow. Avoid tight bends to minimize risk of hoseline kinks.

⚠ CAUTION

Use with salt water is permissible provided the valve is thoroughly cleaned with fresh water after each use. The service life of the valve may be shortened due to the effects of corrosion and is not covered under warranty.

MAINTENANCE

This valve should be disconnected, cleaned and visually inspected inside and out at least twice annually, or as water quality and use may require. Moving parts such as handles, valve ball and couplings should be checked for smooth and free operation. Seals shall be greased as needed with a Silicone based grease such as Dow Corning 112. Any scrapes that expose bare aluminum should be cleaned and touched up with enamel paint such as Rust-Oleum. Replace any missing or damaged parts before returning to service.

⚠ CAUTION

Dissimilar metals coupled together can cause galvanic corrosion that can result in the inability to unscrew the threads or complete loss of thread engagement over time. Per NFPA 1962 (1998 Edition), if dissimilar metals are left coupled together and anti-corrosive lubricant should be applied to the threads. Also the couplings should be disconnected and inspected at least quarterly.

⚠ CAUTION

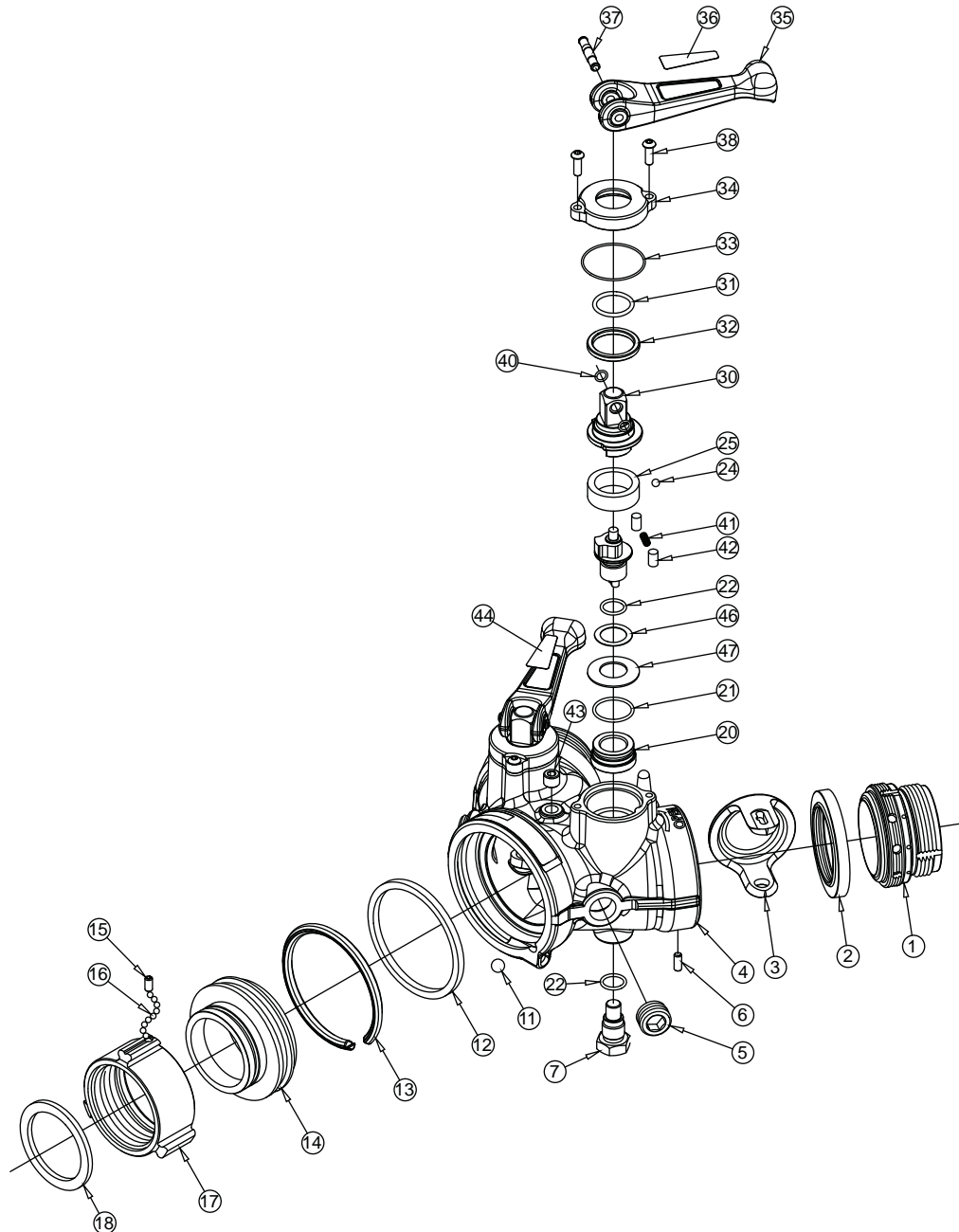
Any alterations to the 2.5" Gated Wye and its markings could diminish safety and constitute a misuse of this product.

⚠ CAUTION

Maximum operating pressure 300 psi (20 bar). Do not exceed 300 psi (20 bar) on either side of the valve.

⚠ CAUTION

Valve must be properly connected. Mismatched or damaged connectors may cause leaking or uncoupling under pressure and could cause injury.



#	DESCRIPTION	QTY	PART#
1	SIDE B ADAPTER 2 1/2	1	AY360*
	SIDE B ADAPTER HSBGM30		AY365
2	VALVE SEAT	2	AY315
3	HALF BALL	2	AY310
4	GATED WYE BODY	1	AY300
5	3/4"NPTM HEX SOCKET PLUG	2	XG410
6	1/4-20 X 5/8 SOCKET SET SCREW	2	VT25-20SS625
7	LOWER TRUNNION	2	AY353
11	7/16" SS BALL	1	VB.437
12	CUP SEAL LOADED	1	A1597
13	PLASTIC STRIP 4.25"	1	A1292
14	MATE 3.0"HSBGM X PSM4.25	1	A4710
15	1/4-28 X 1/2 SOCKET SET SCREW	1	VT25-28SS500

#	DESCRIPTION	QTY	PART#
16	3/16" SS BALL	48	V2120
17	COUPLING 2.5"	1	M307*
18	GASKET 2.5"	1	V3190
20	INNER BUSHING	2	AY351
21	O-RING-123	2	VO-123
22	O-RING-115	4	VO-115
23	INNER UPPER TRUNNION	2	AY350
24	1/4" SS BALL	2	V2125
25	FLOATING RING	2	AY352
30	OUTER UPPER TRUNNION	2	AY320
31	O-RING-214	2	VO-214
32	BUSHING	1	AY324
33	O-RING-033	2	VO-033
34	TRUNNION RETAINER	2	AY354

#	DESCRIPTION	QTY	PART#
35	VALVE HANDLE	2	AY340
36	FOLDING HANDLE LABEL - RED	1	AY342-RED
37	HANDLE PIVOT PIN	2	AY345
38	1/4-20 X 3/4 BUTTON HEAD SCREW	4	VT25-20BH750
40	O-RING-011	4	VO-011
41	SPRING	2	HC115
42	DOWEL PIN	4	VP312X.50
43	1/4"NPT PLUG	1	VFSP2M-SS
44	FOLDING HANDLE LABEL - BLUE	1	AY342-BLU
45	WYE AND HYDRANT VALVE LABEL	1	AY305
46	WASHER	1	G636-020
47	BELLEVILLE SPRING	1	AY325

* - CONTACT FACTORY FOR SPECIAL THREADS

TASK FORCE TIPS, INC.
MADE IN USA • www.tft.com

3701 Innovation Way, Valparaiso, IN 46383-9327 USA
800-348-2686 • 219-462-6161 • Fax 219-464-7155