

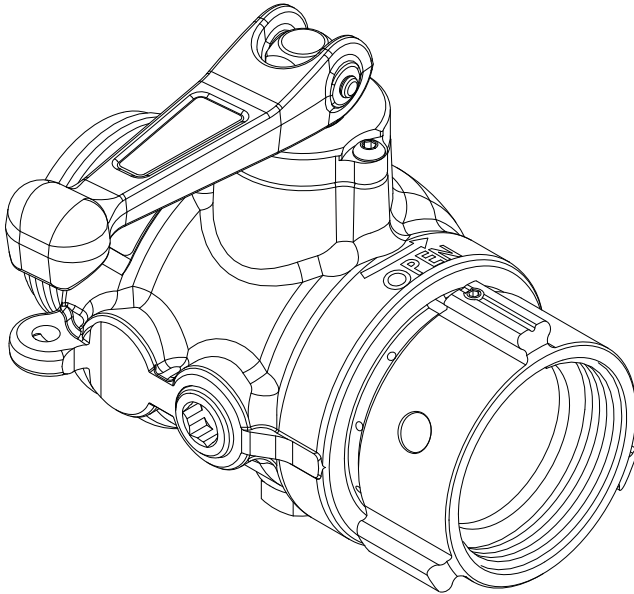


MANUAL: 2.5" HYDRANT VALVE

INSTRUCTIONS FOR SAFE OPERATION AND MAINTENANCE

WARNING

Understand manual before use. Operation of this device without understanding the manual and receiving proper training is a misuse of this equipment. Obtain safety information at www.tft.com/serial-number



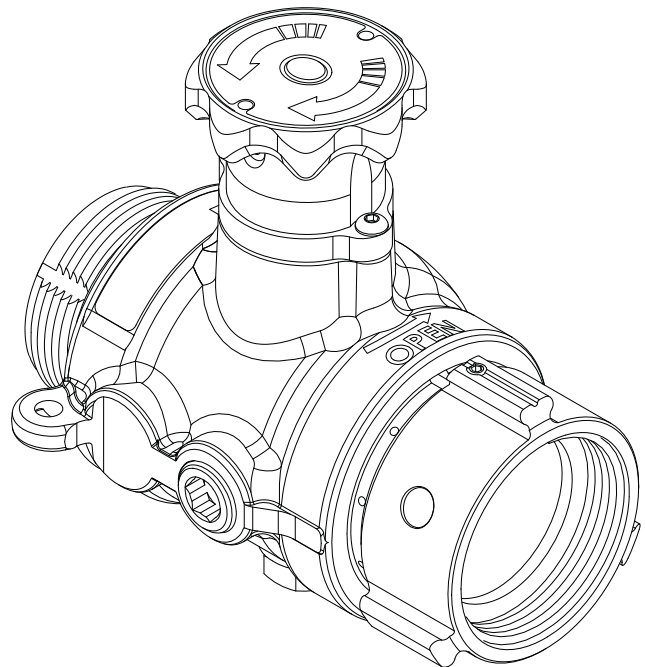
2.5" Hydrant Valve
AV5NJ-NJ

OPERATING RANGE

Pressure Max 300 PSI

Pressure Min Full Vac.

**Hydrostatic
Proof Test:
900 PSI**



2.5" Slow Close Hydrant Valve
AV5NJ-NJ-SC

TASK FORCE TIPS, INC.
MADE IN USA • www.tft.com

3701 Innovation Way, Valparaiso, IN 46383-9327 USA
800-348-2686 • 219-462-6161 • Fax 219-464-7155



PERSONAL RESPONSIBILITY CODE

The member companies of FEMSA that provide emergency response equipment and services want responders to know and understand the following:





1. Firefighting and Emergency Response are inherently dangerous activities requiring proper training in their hazards and the use of extreme caution at all times.
2. It is your responsibility to read and understand any user's instructions, including purpose and limitations, provided with any piece of equipment you may be called upon to use.
3. It is your responsibility to know that you have been properly trained in Firefighting and /or Emergency Response and in the use, precautions, and care of any equipment you may be called upon to use.
4. It is your responsibility to be in proper physical condition and to maintain the personal skill level required to operate any equipment you may be called upon to use.
5. It is your responsibility to know that your equipment is in operable condition and has been maintained in accordance with the manufacturer's instructions.
6. Failure to follow these guidelines may result in death, burns or other severe injury.



Fire and Emergency Manufacturers and Service Association
P.O. Box 147, Lynnfield, MA 01940 • www.FEMSA.org




1.0 MEANING OF SAFETY SIGNAL WORDS

A safety related message is identified by a safety alert symbol and a signal word to indicate the level of risk involved with a particular hazard. Per ANSI standard Z535.6-2011, the definitions of the four signal words are as follows:

-  **DANGER** indicates a hazardous situation which, if not avoided, will result in death or serious injury.
-  **WARNING** indicates a hazardous situation which, if not avoided, could result in death or serious injury.
-  **CAUTION** indicates a potentially hazardous situation which, if not avoided, could result in minor or moderate injury.
-  **NOTICE** is used to address practices not related to physical injury.





SAFETY INSTRUCTIONS (or equivalent) signs indicate specific safety-related instructions of procedures

2.0 SAFETY

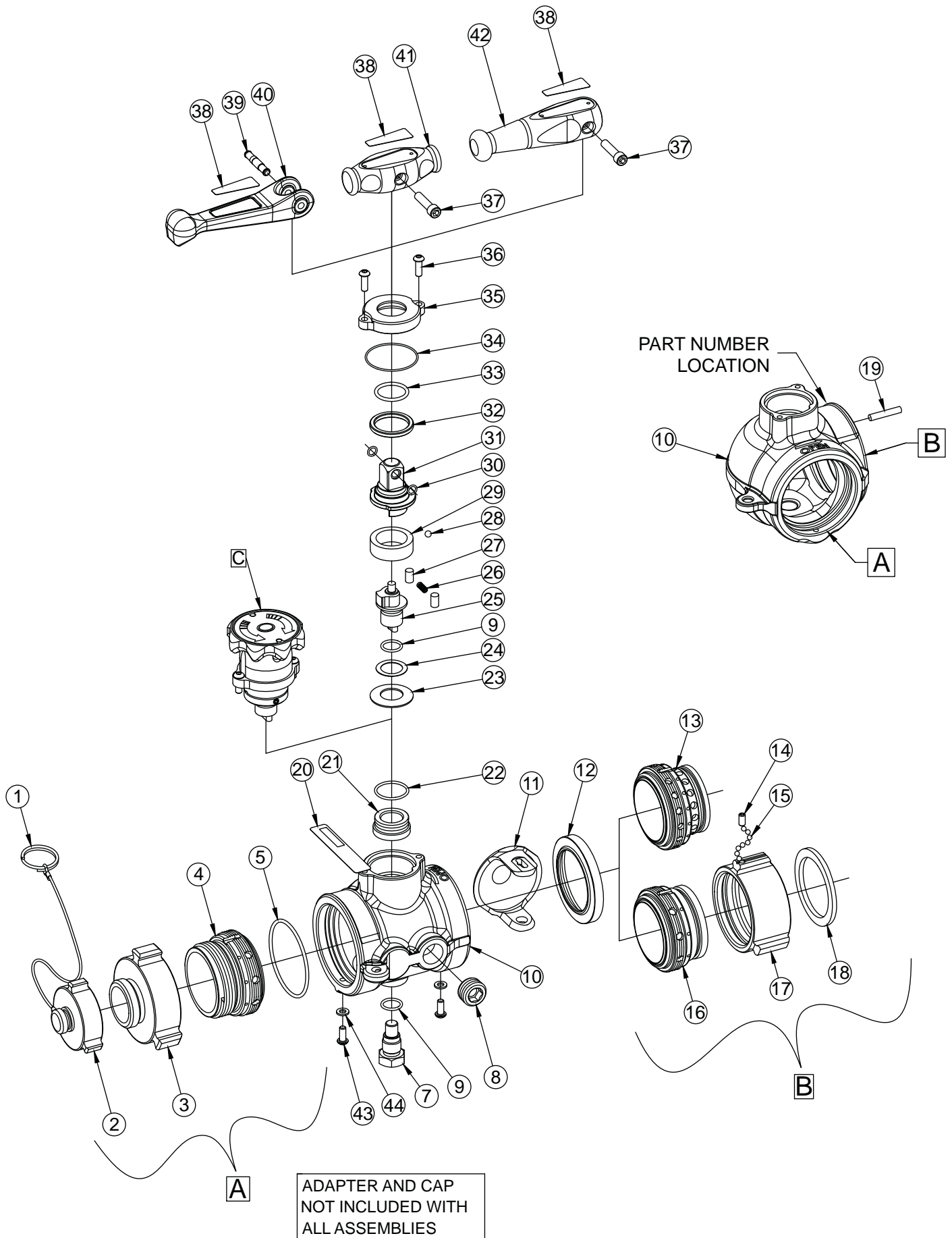
-  **WARNING** Quick changes in valve position can cause high pressure spikes due to water hammer and may result in damaged equipment which could lead to injury or death. Open and close the valve slowly to avoid water hammer.
-  **WARNING** Kinks in supply hose may reduce water flow and cause injury or death to persons dependant on water flow. Avoid tight bends to minimize risk of hoseline kinks.
-  **CAUTION** Use with salt water is permissible provided the valve is thoroughly cleaned with fresh water after each use. The service life of the valve may be shortened due to the effects of corrosion and is not covered under warranty.

3.0 MAINTENANCE

This valve should be disconnected, cleaned and visually inspected inside and out at least twice annually, or as water quality and use may require. Moving parts such as handles, valve ball and couplings should be checked for smooth and free operation. Seals shall be greased as needed with a Silicone based grease such as Dow Corning 112. Any scrapes that expose bare aluminum should be cleaned and touched up with enamel paint such as Rust-Oleum. Replace any missing or damaged parts before returning to service.

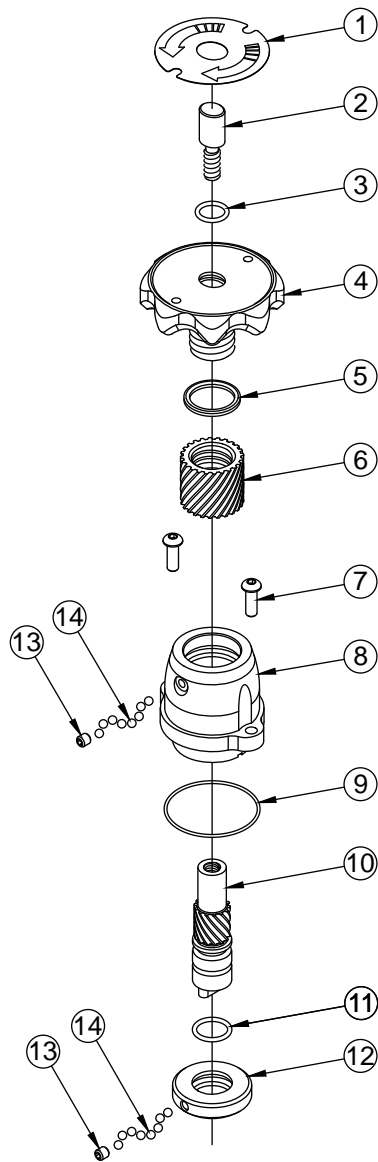
-  **CAUTION** Any alterations to the valve and its markings could diminish safety and constitutes a misuse of this product.
-  **CAUTION** Maximum operating pressure 300 psi (20 bar). Do not exceed 300 psi (20 bar) on either side of the valve.
-  **CAUTION** Valve must be properly connected. Mismatched or damaged connectors may cause leaking or uncoupling under pressure and could cause injury.
-  **CAUTION** Dissimilar metals coupled together can cause galvanic corrosion that can result in the inability to unscrew the threads or complete loss of thread engagement over time. Per NFPA 1962, *“Special care shall be taken where couplings of dissimilar metal are connected, as corrosion can occur due to this difference and moisture tends to accelerate this corrosion. Where couplings of dissimilar metals are left connected, they shall be disconnected and inspected at least quarterly. If corrosion exists, the couplings shall be cleaned and an anticorrosive lubricant specified by the coupling manufacturer shall be applied to the threads,”* TFT recommends Dow Corning 111 or 112 Silicone.

EXPLODED VIEW AND PARTS LIST



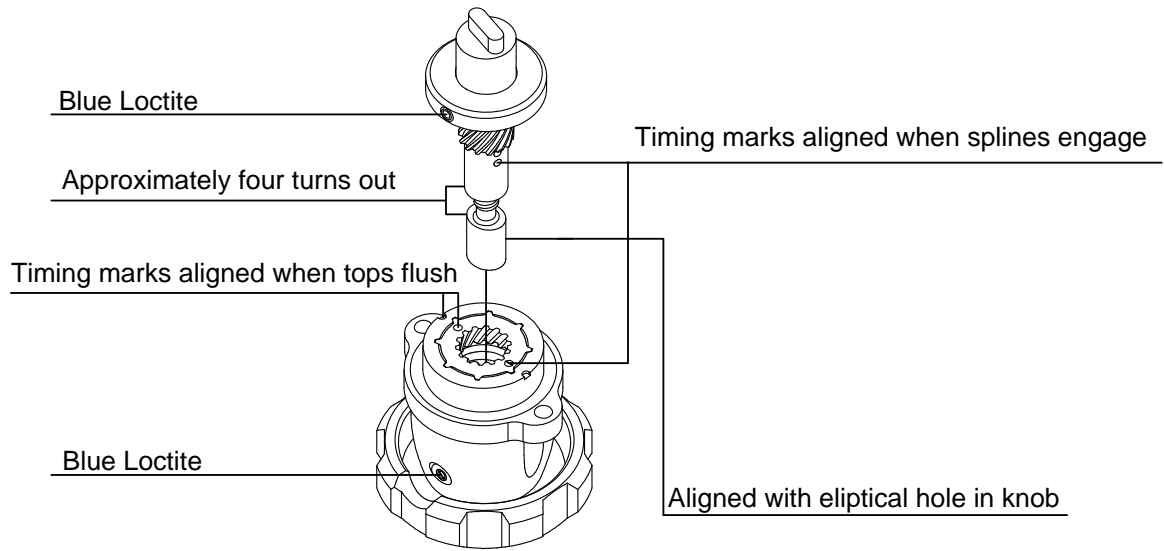
#	DESCRIPTION	QTY	PART#
1	STAINLESS KEY RING	1	X342
2	BLIND CAP 1.5"NHF W/ 19" LANYARD	1	P412
3	ADAPTER 2.5"NHF X 1.5"NHM ROCKERLUG	1	P411
4	SIDE A ADAPTER 2 1/2 NH	1	AY360*
5	O-RING-234	1	VO-234
7	LOWER TRUNNION	1	AY353
8	3/4"NPTM HEX SOCKET PLUG	1	XG410
9	O-RING-115	2	VO-115
10	2.5" HYDRANT VALVE BODY	1	AY301
	2.5" GATED ELBOW LEFT-HAND BODY		AY308L
	2.5" GATED ELBOW RIGHT-HAND BODY		AY308R
11	HALF BALL	1	AY310
12	VALVE SEAT	1	AY315
13	OUTLET HSBGM275 X 2.5" VALVE	1	A1036
14	1/4-28 X 1/2 SOCKET SET SCREW	1	VT25-28SS500
15	3/16" SS BALL	48	V2120
16	SIDE B ADAPTER	1	AY365
17	COUPLING 2.5"	1	M307*
18	GASKET 2.5"	1	V3190
19	1/4 X 1-3/8 HDP SPIROL PN	1	VP250X1.375H
20	LABEL	1	AY305
21	INNER BUSHING	1	AY351
22	O-RING-123	1	VO-123
23	BELLEVILLE SPRING	1	AY325
24	WASHER	1	G636-020
25	INNER UPPER TRUNNION	1	AY350
26	COMPRESSION SPRING	1	HC115
27	SS DOWEL PIN	2	VP312X.50
28	1/4" SS BALL	1	V2125
29	FLOATING RING	1	AY352
30	VO-RING-011	2	VO-011
31	OUTER UPPER TRUNNION	1	AY320
32	BUSHING	1	AY324
33	O-RING-216	1	VO-216
34	O-RING-033	1	VO-033
35	TRUNNION RETAINER	1	AY354
36	1/4-20 X 3/4 BUTTON HEAD SCREW	2	VT25-20BH750
37	5/16-18 X 1-1/4 SOCKET HEAD SCREW	1	VT31-18SH1.2
38	FOLDING HANDLE LABEL - BLUE	1	AY342-BLU
	FOLDING HANDLE LABEL - ORANGE		AY342-ORG
	FOLDING HANDLE LABEL - RED		AY342-RED
	FOLDING HANDLE LABEL - WHITE		AY342-WHT
	FOLDING HANDLE LABEL - YELLOW		AY342-YEL
39	HANDLE PIVOT PIN	1	AY345
40	FOLDING HANDLE	1	AY340R
41	VALVE T-HANDLE NON-FOLDING	1	AY322
42	VALVE HANDLE NON-FOLDING	1	AY321
43	1/4-20 X 5/8 BUTTON HEAD SCREW	2	VT25-20BH625
44	WASHER	2	VW500X265-63
C	LEFT HAND SLOW CLOSE VALVE SUBASSEMBLY	1	AY970L
* - CONTACT FACTORY FOR SPECIAL THREADS			

SECTION C

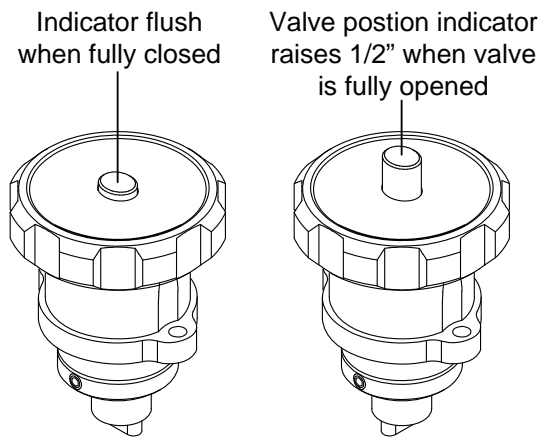


#	DESCRIPTION	QTY	PART#
1	LABEL	1	AY370L
2	INDICATOR	1	AY375
3	O-RING-113	1	VO-113
4	KNOB	1	AY370
5	QUAD-RING-214	1	VOQ-4214
6	SLEEVE	1	AY371L
7	1/4-20 X 3/4 BUTTON HEAD SCREW	2	VT25-20BH750
8	STATOR	1	AY371R
9	O-RING-033	1	VO-033
10	LOWER TRUNNION	1	AY374L
11	O-RING-115	1	VO-115
12	RETAINER	1	AY372
13	1/4-28 X 1/4 SOCKET SET SCREW	2	VT25-28SS250
14	3/16" SS BALL (20 PER UPPER RACE)	34	V2120

SLOW CLOSE VALVE TIMING



3-1/2 Turns Full Closed to Full Open



WARRANTY

Task Force Tips, Inc., 3701 Innovation Way, Valparaiso, Indiana 46383-9327 USA ("TFT") warrants to the original purchaser of its 2.5" Hydrant Valve ("equipment"), and to anyone to whom it is transferred, that the equipment shall be free from defects in material and workmanship during the five (5) year period from the date of purchase.

TFT's obligation under this warranty is specifically limited to replacing or repairing the equipment (or its parts) which are shown by TFT's examination to be in a defective condition attributable to TFT. To qualify for this limited warranty, the claimant must return the equipment to TFT, at 3701 Innovation Way, Valparaiso, Indiana 46383-9327 USA, within a reasonable time after discovery of the defect. TFT will examine the equipment. If TFT determines that there is a defect attributable to it, TFT will correct the problem within a reasonable time. If the equipment is covered by this limited warranty, TFT will assume the expenses of repair.

If any defect attributable to TFT under this limited warranty cannot be reasonably cured by repair or replacement, TFT may elect to refund the purchase price of the equipment, less reasonable depreciation, in complete discharge of its obligations under this limited warranty. If TFT makes this election, claimant shall return the equipment to TFT free and clear of any liens and encumbrances.

This is a limited warranty. The original purchaser of the equipment, any person to whom it is transferred, and any person who is an intended or unintended beneficiary of the equipment, shall not be entitled to recover from TFT any consequential or incidental damages for injury to person and/or property resulting from any defective equipment manufactured or assembled by TFT. It is agreed and understood that the price stated for the equipment is in part consideration for limiting TFT's liability. Some states do not allow the exclusion or limitation of incidental or consequential damages, so the above may not apply to you.

TFT shall have no obligation under this limited warranty if the equipment is, or has been, misused or neglected (including failure to provide reasonable maintenance) or if there have been accidents to the equipment or if it has been repaired or altered by someone else.

THIS IS A LIMITED EXPRESS WARRANTY ONLY. TFT EXPRESSLY DISCLAIMS WITH RESPECT TO THE EQUIPMENT ALL IMPLIED WARRANTIES OF MERCHANTABILITY AND ALL IMPLIED WARRANTIES OF FITNESS FOR A PARTICULAR PURPOSE. THERE IS NO WARRANTY OF ANY NATURE MADE BY TFT BEYOND THAT STATED IN THIS DOCUMENT.

This limited warranty gives you specific legal rights, and you may also have other rights which vary from state to state.