

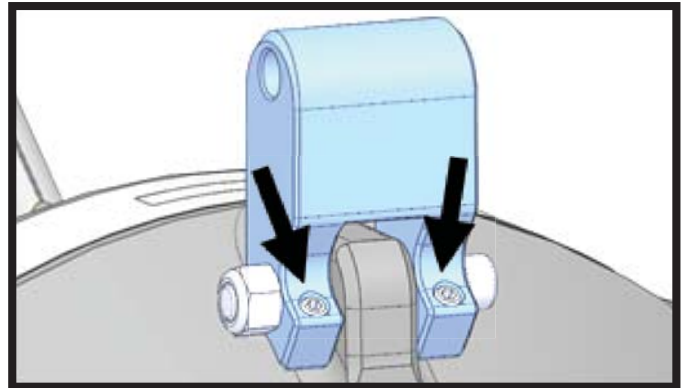
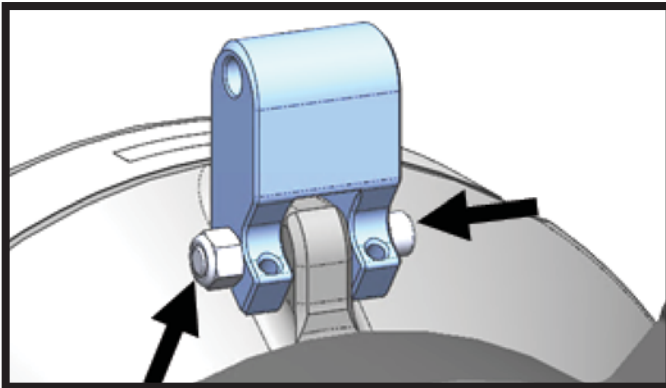


Installation Instructions: A03FLOAT-KIT Float Retrofit Kit for Low-Level Strainers

Tools required: 7/16" hex wrench, 3/16" Allen wrench, 3/32" Allen wrench, wallet-size card or rectangular block

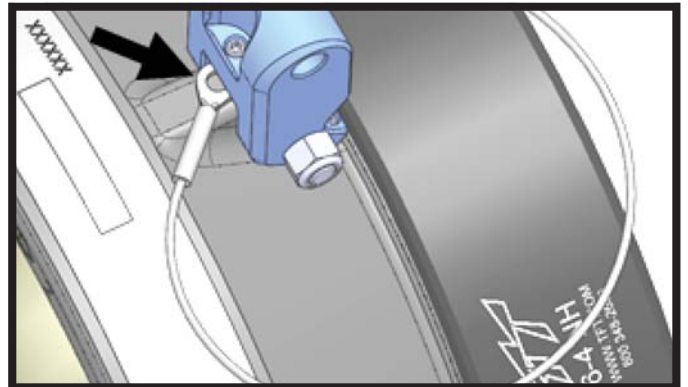
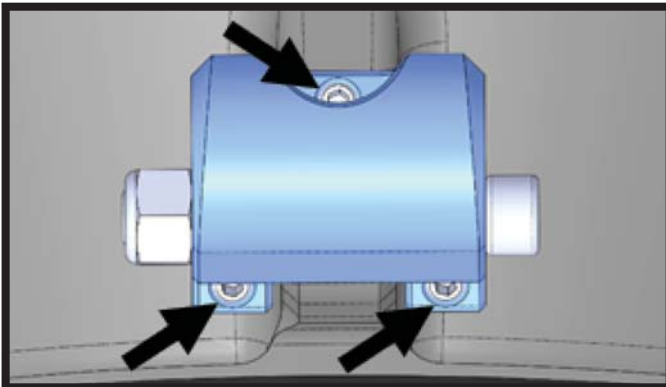
1. Slide Hinge Block over tab with pair of angled holes facing towards Hose Coupling. Slide 1.75" long Screw through both parts, then tighten Locknut snug.

4. Pull upwards on Hinge Block and tighten other two Set Screws until they touch the Strainer.



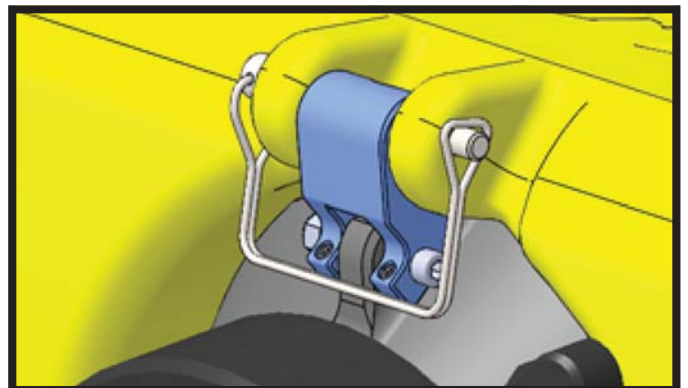
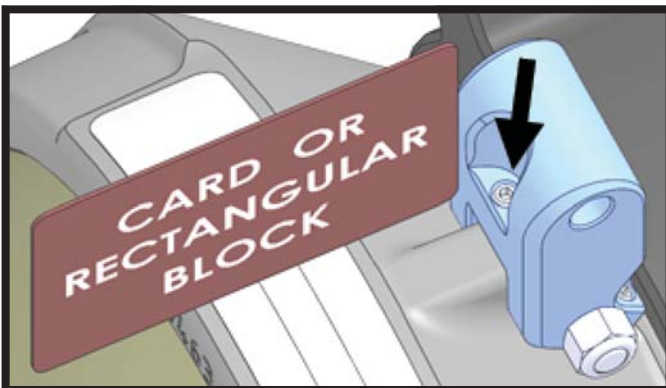
2. Apply blue Loctite to 3 threaded holes in Hinge Block. Tighten 3 Set Screws until heads are flush with Block.

5. Set Cable eyelet against vertical Set Screw. Loosen Screw until eyelet slips under it, then tighten Screw through eyelet until snug against Strainer.



3. Hold wallet-size card against Hinge Block and Strainer. Pull upwards on Hinge Block and tighten Set Screw nearest to card until it bottoms out, then remove card.

6. Set Float on Strainer. Slide Pin through Float and Hinge Block, then latch the Pin.



TASK FORCE TIPS, INC.
MADE IN USA • www.tft.com

3701 Innovation Way, Valparaiso, IN 46383-9327 USA
800-348-2686 • 219-462-6161 • Fax 219-464-7155