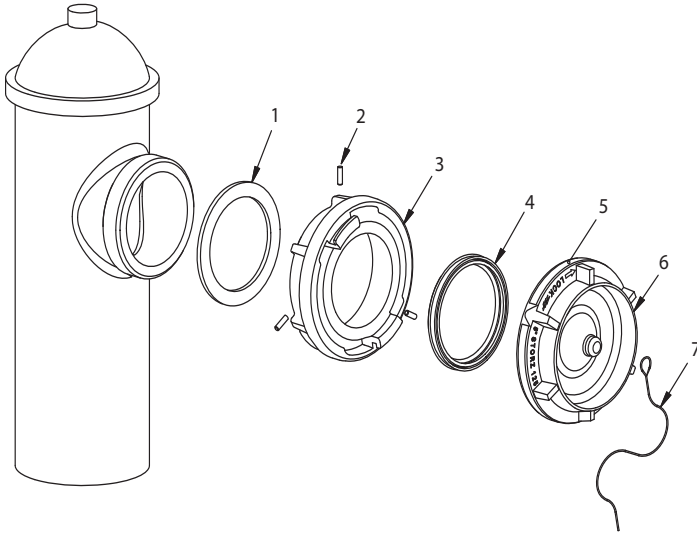


# MANUAL: STORZ HYDRANT ADAPTER

## INSTRUCTIONS FOR INSTALLATION, SAFE OPERATION AND MAINTENANCE



	DESCRIPTION	QTY	PART #
1	GASKET - 4.5" HOSE COUPLING (CUT)	1	V3210
2	1/4-20 X 3/4 SHSS - NYLON PATCH	3	VT25Y20SS750
3	HYDRANT ADAPTER 4.5" F X 5.0" STORZ	1	A4195-H
4	GASKET 5" SUCTION GRAY - MOLDED	1	A4221
5	FLOW COLOR LABEL	1	A4190 - *
6	BLIND CAP - 5.0" STORZ	1	A4145-1
7	CABLE ASSEMBLY	1	VM1026

	US	Metric
HYDROSTATIC PROOF TEST	900 PSI	(62 bar)
MAXIMUM OPERATING PRESSURE	300 PSI	(21 bar)
OPERATING TEMPERATURE RANGE OF FLUID	33 to 120° F	1 to 50° C
STORAGE TEMPERATURE RANGE	-40 to 150° F	-40 to 65° C
MATERIALS USED	Aluminum A356-T6 hard anodized MIL8625 class 3 type 2, nitrile rubber, stainless steel	
CERTIFICATIONS	Meets requirements of NFPA 1963 (2009) Standard for Fire Hose Con- nections	
FLUID COMPATIBILITY	For use in fire water service	

**⚠ DANGER**

### PERSONAL RESPONSIBILITY CODE

The member companies of FEMSA that provide emergency response equipment and services want responders to know and understand the following:

1. Firefighting and Emergency Response are inherently dangerous activities requiring proper training in their hazards and the use of extreme caution at all times.
2. It is your responsibility to read and understand any user's instructions, including purpose and limitations, provided with any piece of equipment you may be called upon to use.
3. It is your responsibility to know that you have been properly trained in Firefighting and /or Emergency Response and in the use, precautions, and care of any equipment you may be called upon to use.
4. It is your responsibility to be in proper physical condition and to maintain the personal skill level required to operate any equipment you may be called upon to use.
5. It is your responsibility to know that your equipment is in operable condition and has been maintained in accordance with the manufacturer's instructions.
6. Failure to follow these guidelines may result in death, burns or other severe injury.



Fire and Emergency Manufacturers and Service Association  
P.O. Box 147, Lynnfield, MA 01940 • www.FEMSA.org

## 1.0 INSTALLATION

Apply color labels to cap and adapter. Colors correspond to NFPA 291 flow ranges.

<b>BLUE</b>	1500 GPM or more	Very good flows
<b>GREEN</b>	1000-1499 GPM	Good for residential areas
<b>ORANGE</b>	500-999 GPM	Marginally adequate
<b>RED</b>	Below 500 GPM	Inadequate

Screw adapter to hydrant. Install (3) ¼-20 set screws.

## 2.0 MAINTENANCE

The cap should be disconnected, cleaned and visually inspected inside and out at least twice annually, or as water quality and use may require. Seals shall be greased as needed with silicone-based grease such as Dow Corning 112. Any scrapes that expose bare aluminum should be cleaned and touched up with enamel paint such as Rust-Oleum. Replace any missing or damaged parts before returning to service.

### **CAUTION**

Dissimilar metals coupled together can cause galvanic corrosion that can result in the inability to unscrew the threads or complete loss of thread engagement over time. Per NFPA 1962 (1998 Edition), if dissimilar metals are left coupled together, anti-corrosive lubricant, a silicone based grease such as Dow Corning 112, should be applied to the threads.

### **CAUTION**

Do not pressurize the hydrant adapter above 300 PSI (21 bar). Operation at excessive pressures can result in injury. Check service pressure of water mains before installing the hydrant adapter.

### **CAUTION**

Adapter and hose must be properly connected. Mismatched or damaged connectors may cause leaking or uncoupling under pressure and could cause injury.

## 3.0 WARRANTY

Task Force Tips, Inc., 3701 Innovation Way, Valparaiso, IN 46383-9327 USA ("TFT") warrants to the original purchaser of its Storz Hydrant Adapter ("equipment"), and to anyone to whom it is transferred, that the equipment shall be free from defects in material and workmanship during the five (5) year period from the date of purchase.

TFT's obligation under this warranty is specifically limited to replacing or repairing the equipment (or its parts) which are shown by TFT's examination to be in a defective condition attributable to TFT. To qualify for this limited warranty, the claimant must return the equipment to TFT, at 3701 Innovation Way, Valparaiso, IN 46383-9327 USA, within a reasonable time after discovery of the defect. TFT will examine the equipment. If TFT determines that there is a defect attributable to it, TFT will correct the problem within a reasonable time. If the equipment is covered by this limited warranty, TFT will assume the expenses of repair.

If any defect attributable to TFT under this limited warranty cannot be reasonably cured by repair or replacement, TFT may elect to refund the purchase price of the equipment, less reasonable depreciation, in complete discharge of its obligations under this limited warranty. If TFT makes this election, claimant shall return the equipment to TFT free and clear of any liens and encumbrances.

This is a limited warranty. The original purchaser of the equipment, any person to whom it is transferred, and any person who is an intended or unintended beneficiary of the equipment, shall not be entitled to recover from TFT any consequential or incidental damages for injury to person and/or property resulting from any defective equipment manufactured or assembled by TFT. It is agreed and understood that the price stated for the equipment is in part consideration for limiting TFT's liability. Some states do not allow the exclusion or limitation of incidental or consequential damages, so the above may not apply to you.

TFT shall have no obligation under this limited warranty if the equipment is, or has been, misused or neglected (including failure to provide reasonable maintenance) or if there have been accidents to the equipment or if it has been repaired or altered by someone else.

THIS IS A LIMITED EXPRESS WARRANTY ONLY. TFT EXPRESSLY DISCLAIMS WITH RESPECT TO THE EQUIPMENT ALL IMPLIED WARRANTIES OF MERCHANTABILITY AND ALL IMPLIED WARRANTIES OF FITNESS FOR A PARTICULAR PURPOSE. THERE IS NO WARRANTY OF ANY NATURE MADE BY TFT BEYOND THAT STATED IN THIS DOCUMENT.

This limited warranty gives you specific legal rights, and you may also have other rights which vary from state to state.

**TASK FORCE TIPS, INC.**  
MADE IN USA • [www.tft.com](http://www.tft.com)

3701 Innovation Way, Valparaiso, IN 46383-9327 USA  
800-348-2686 • 219- 462-6161 • Fax 219-464-7155