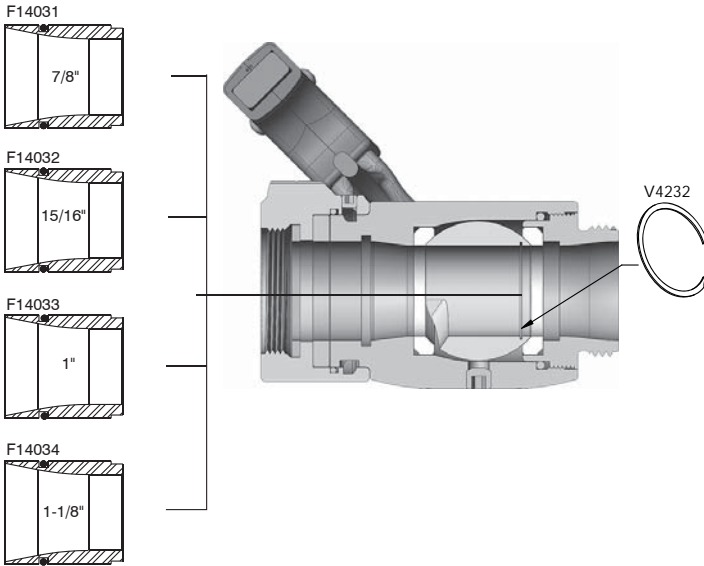




Manual: Smooth Bore Insert Kits #F140SBI

TFT's compact way to combine a smooth bore, shutoff, and fog nozzle. TFT has improved the unimprovable by placing the smooth bore nozzle INSIDE the actual valve ball, reducing the weight and length of the total assembly. Smooth bore insert kits come standard with 7/8", 15/16", 1.0" and 1-1/8" smooth inside tapers. The changeover from one size to another may require a tool to push out the insert. Simply slide the insert out the BACK of the valve and slide in the new size. Apply a lubricant to o-rings prior to installation.



Smooth bore inserts are designed to fit detent series ball valves with snap ring grooves in the ball manufactured after January 2015 and newer. Models: H-VO, H-VOI, H-2VO and H-2VOI

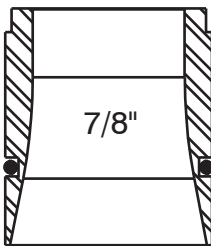
To install insert:

- 1) Open valve fully.
- 2) Place retaining ring into groove in the valve ball nearest the discharge end of the valve.
- 3) Apply lubricant to o-ring.
- 4) Slide desired insert into ball from inlet end of valve until in contact with retaining ring.

Operation: Open valve fully to discharge solid stream, or use with combination nozzle on discharge of valve.



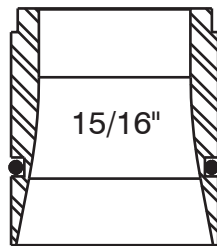
Waterway is restricted to a reduced size. Delivery of water is limited by size of insert used. When this device is used in-line to feed hose or nozzle, it will effectively change the size of the valve to the size of the installed insert.



PRESS. PSI	FLOW GPM
40	144
50	161
60	176
70	190
80	203

Maximum Recommended Fog Nozzle Setting

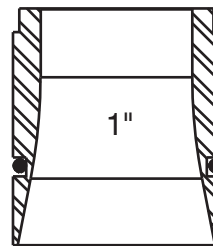
75 PSI	150 GPM
100 PSI	175 GPM



PRESS. PSI	FLOW GPM
40	165
50	185
60	202
70	218
80	233

Maximum Recommended Fog Nozzle Setting

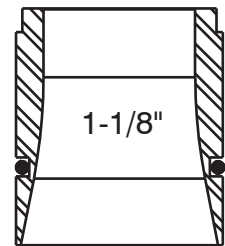
75 PSI	175 GPM
100 PSI	200 GPM



PRESS. PSI	FLOW GPM
40	188
50	210
60	230
70	248
80	266

Maximum Recommended Fog Nozzle Setting

75 PSI	200 GPM
100 PSI	225 GPM



PRESS. PSI	FLOW GPM
40	225
50	265
60	288
70	312
80	333

Maximum Recommended Fog Nozzle Setting

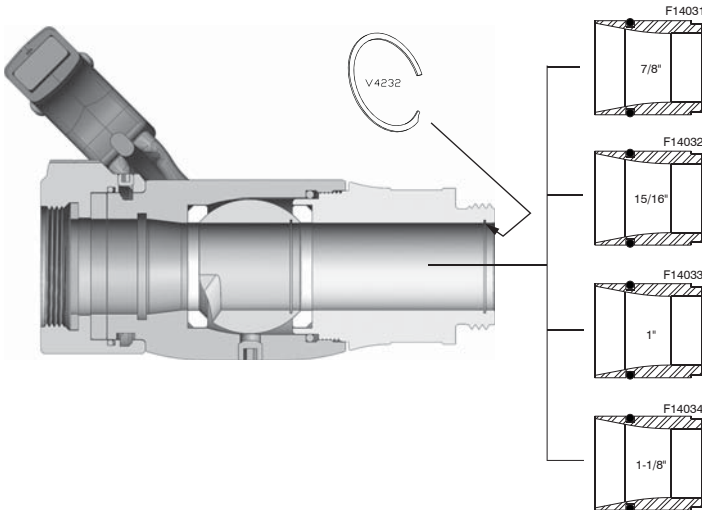
75 PSI	225 GPM
100 PSI	250 GPM



Manual: Valve Integral Tip Nozzles

H-VIT • H-2VIT • H-VITG • H-2VITG • H-2VPPIT

TFT's compact way to combine a smooth bore, shutoff, and fog nozzle. TFT has improved the unimprovable by placing the smooth bore nozzle INSIDE the actual valve. VIT nozzles come standard with 7/8", 15/16", 1.0" and 1-1/8" smooth inside tapers. The changeover from one size to another may require a tool to push out the insert. Simply slide the insert out the BACK of the valve and slide in the new size. Apply a lubricant to o-rings prior to installation.



Smooth bore inserts are designed to fit Task Force Tips VIT series ball valves.

Models: H-VIT, H-2VIT, H-VITG, H-2VITG, H-2VPPIT

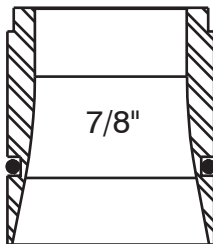
To install insert:

- 1) Apply lubricant to o-ring.
- 2) Slide desired insert into the discharge end of the valve till insert passes ring groove.
- 3) Place retaining ring into groove in the front ring.
- 4) Slide insert forward to retaining ring.

Operation: Open valve fully to discharge solid stream, or use with combination nozzle on discharge of valve.



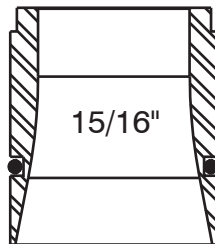
Waterway is restricted to a reduced size. Delivery of water is limited by size of insert used. When this device is used in-line to feed hose or nozzle, it will effectively change the size of the valve to the size of the installed insert.



PRESS. PSI	FLOW GPM
40	144
50	161
60	176
70	190
80	203

Maximum Recommended Fog Nozzle Setting

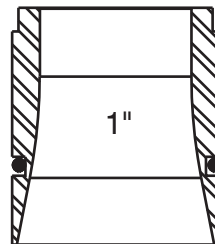
75 PSI	150 GPM
100 PSI	175 GPM



PRESS. PSI	FLOW GPM
40	165
50	185
60	202
70	218
80	233

Maximum Recommended Fog Nozzle Setting

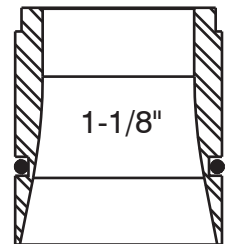
75 PSI	175 GPM
100 PSI	200 GPM



PRESS. PSI	FLOW GPM
40	188
50	210
60	230
70	248
80	266

Maximum Recommended Fog Nozzle Setting

75 PSI	200 GPM
100 PSI	225 GPM



PRESS. PSI	FLOW GPM
40	225
50	265
60	288
70	312
80	333

Maximum Recommended Fog Nozzle Setting

75 PSI	225 GPM
100 PSI	250 GPM

TASK FORCE TIPS, INC.
MADE IN USA • www.tft.com

3701 Innovation Way, Valparaiso, IN 46383-9327 USA
800-348-2686 • 219- 462-6161 • Fax 219-464-7155